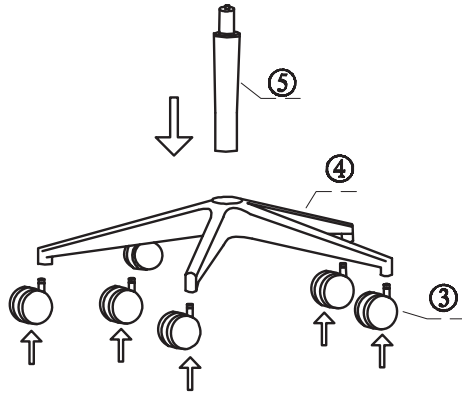
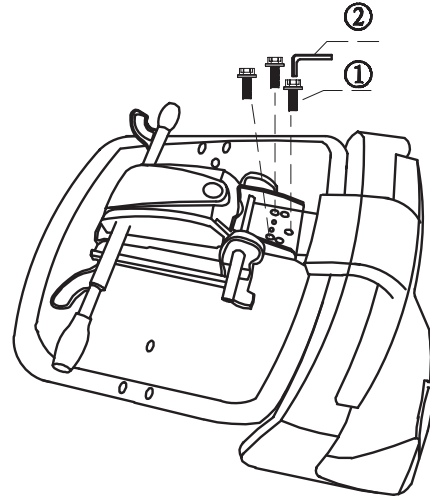


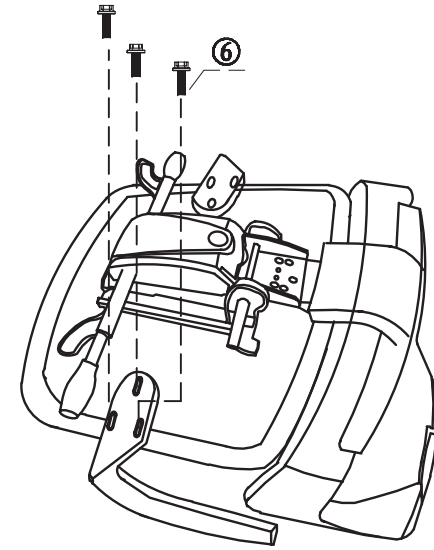
1



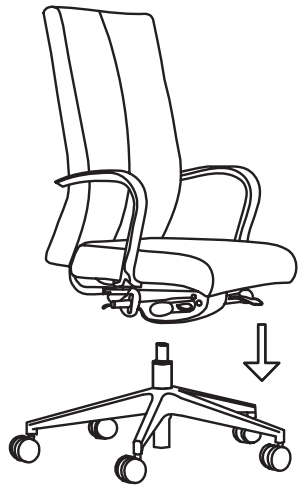
2



3



4



5



①



M8x20

3

②



1

③



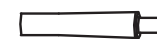
5

④



1

⑤



1

⑥



M6

6

### Seat angle adjustment:

To adjust the seat angle, turn the seat angle adjustment handle (①) clockwise to lift up the seat end up till it lock. Turn anticlockwise the handle to go back to original position.

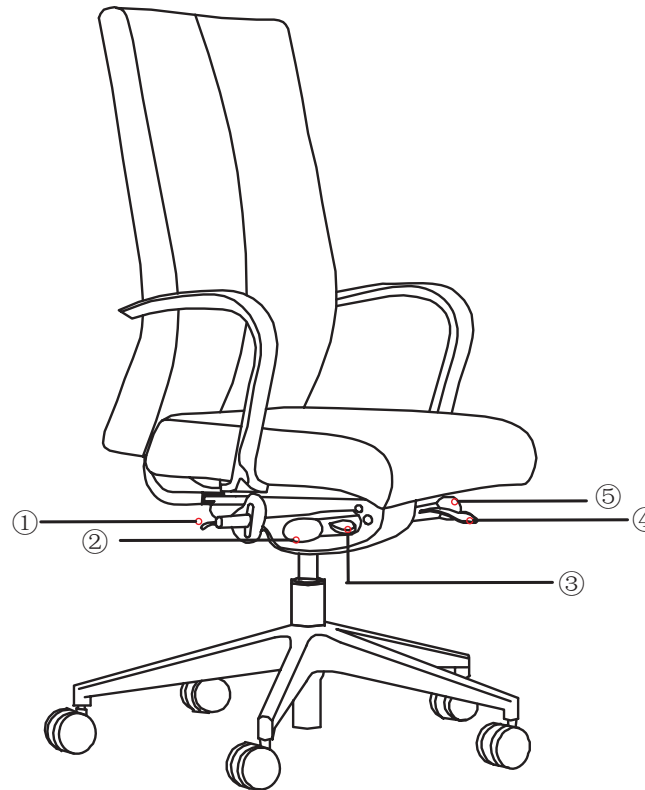
### Tilt tension adjustment:

To adjust the seat tilt tension, turn the tension adjustment knob (②) on the mechanism to desired tension, turn clockwise or anticlockwise.

### Seat height adjustment:

To raise the seat height, remove weight from the seat and pull up on the height adjustment lever (③), release the lever when reaching the desired position.

To lower the seat height, while seated, pull up slowly on the height adjustment lever until the seat is at the desired height.



### Seat depth adjustment:

To enlarge the seat depth, pull up the slider lever (④) and move frontward to desired position, then release the lever.

To go back to the first position, pull up the slider lever and remove body weight from the seat, then the seat will go back automatically.

### Backrest angle adjustment:

To change backrest's position, turn clockwise the adjustment lever (⑤), then lie backwards the backrest to desired position, and turn anticlockwise the adjustment lever to lock.

To go back to the first position, turn clockwise the adjustment lever to unlock, lie backward again, then backrest will return automatically.